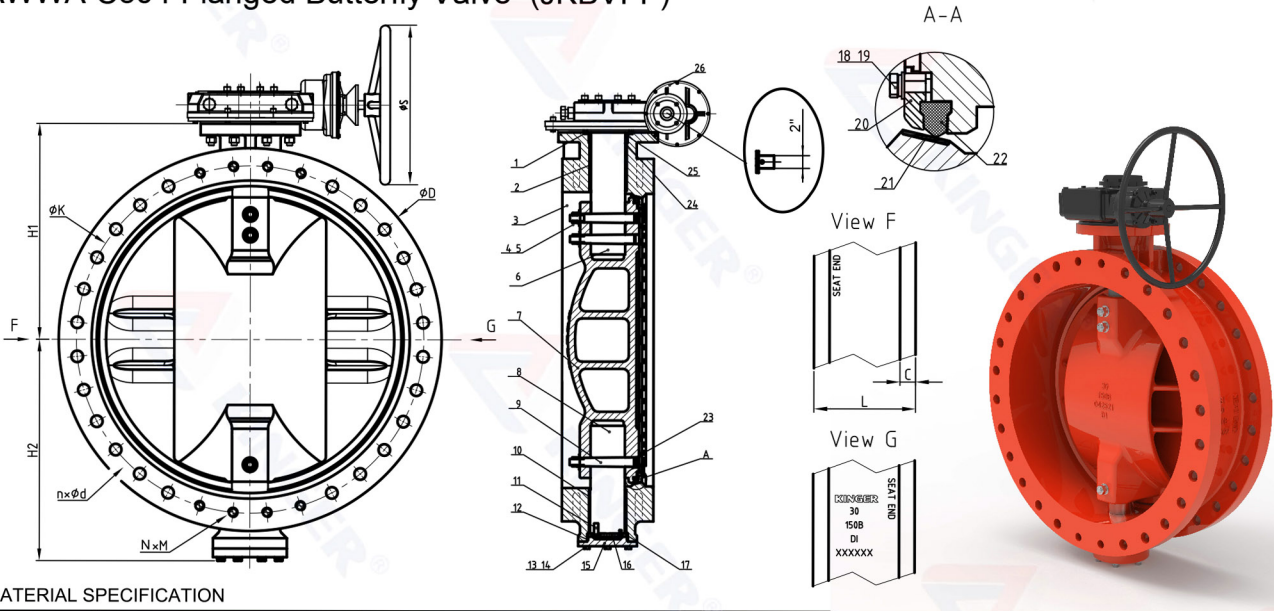


AWWA C504 Flanged Butterfly Valve (JKBVFF)



MATERIAL SPECIFICATION

Part No.	Description	Material Specification	Options
1	Gland	Stainless Steel SS316	SS304
2	Top Bearing	Fiberglass Resin Bock+Teflon Lined	
3	Body	Ductile Iron ASTM A536 65-45-12	
4	Hex Bolt	Stainless Steel SS316	SS304
5	Washer	Stainless Steel SS316	SS304
6	Upper Stem	Stainless Steel SS316	SS304
7	Disc	Ductile Iron ASTM A536 65-45-12	
8	Bottom Stem	Stainless Steel SS316	SS304
9	Taper Pin	Stainless Steel SS630	
10	Bottom Bearing	Fiberglass Resin Bock+Teflon Lined	
11	Countersunk Head Screws	Stainless Steel SS316	SS304
12	O-Ring	Rubber EPDM	NBR
13	Hex Bolt	Stainless Steel SS316	SS304
14	Washer	Stainless Steel SS316	SS304
15	Bottom Cover	Carbon Steel 45#	
16	Thrust Ring	Bronze ASTM B62 C83600	
17	Set Screw	Stainless Steel SS316	SS304
18	Hex Bolt	Stainless Steel SS316	SS304
19	Washer	Stainless Steel SS316	SS304
20	Seat Retaining Segment	Stainless Steel ASTM A351 CF8M	CF8
21	Body Seat	Stainless Steel SS316	SS304
22	Disc Seat	Rubber EPDM	NBR
23	O-Ring	Rubber EPDM	NBR
24	Support Ring	PTFE	
25	V-Packing	Rubber EPDM	NBR
26	GearBox		

With Hand Wheel



With Wrench Nut

- Design Standard: AWWA C504
- Flanged Standard: ASME B16.1 CLASS 125
- Working Pressure: 150 PSI
- Temperature Range: 32 °F-176°F
- Coating: Fusion Bonded Epoxy Coating in accordance with ANSI/AWWA C550

Note: For special material request other than standard specification, please indicate clearly on the inquiry or order list. Both the hand wheel and the wrench are applicable.

Item.No	Dimensions(Inch)									ØS
	Size	L	H1	H2	ØD	ØK	n-Ød	N x M	C	
JKBVFF24	24"	8.00	18.90	18.31	32.00	29.50	16x1 3/8"	4x1 1/4-7UNC	1.88	20.0
JKBVFF30	30"	12.00	22.44	21.84	38.75	36.00	24x1 3/8"	4x1 1/4-7UNC	2.12	24.0
JKBVFF36	36"	12.00	26.77	26.53	46.00	42.75	24x1 5/8"	8x1 1/2-6UNC	2.38	24.0
JKBVFF42	42"	12.00	29.88	30.00	53.00	49.50	28x1 5/8"	8x1 1/2-6UNC	2.62	24.0
JKBVFF48	48"	15.00	34.10	34.34	59.50	56.00	36x1 5/8"	8x1 1/2-6UNC	2.75	20.0
JKBVFF54	54"	15.00	38.58	38.23	66.25	62.75	36x2"	8x1 3/4-5UNC	3.00	32.0
JKBVFF60	60"	15.00	41.34	41.76	73.00	69.25	44*2"	8x1 3/4-5UNC	3.12	28.0
JKBVFF66	66"	18.00	46.06	46.85	80.00	76.00	44*2"	8x1 3/4-5UNC	3.38	28.0
JKBVFF72	72"	18.00	50.00	49.12	86.50	82.50	52*2"	8x1 3/4-5UNC	3.50	32.0