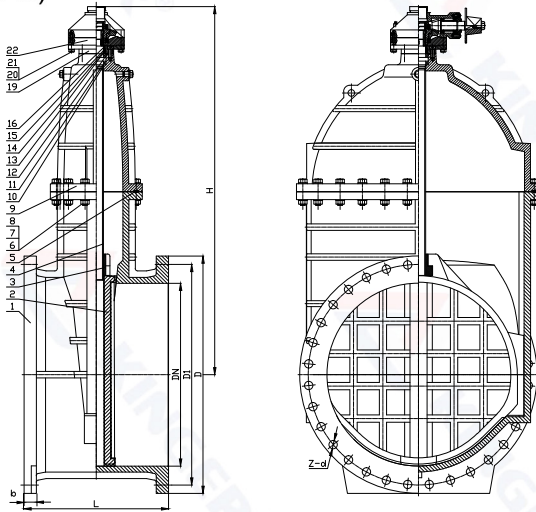


AWWA C509 Flanged Resilient NRS Gate Valve With Wrench Nut & Gearbox (JHZ45XC-G)



JHZ45XC-G

MATERIAL SPECIFICATION

Part No.	Description	Material Specification	Options
1	Body	Ductile Iron ASTM A536	
2	Wedge	DI ASTM A536 +EPDM ASTM D2000	
3	Stem Nut	Brass ASTM B16	
4	Stem	Stainless Steel SS316	Stainless Steel 304/Brass
5	Gasket	EPDM ASTM D2000	
6	Bonnet Bolt	Stainless Steel SS316	Stainless Steel 304
7	Nut	Stainless Steel SS316	Stainless Steel 304
8	Washer	Stainless Steel SS316	Stainless Steel 304
9	Bonnet	Ductile Iron ASTM A536	
10	O-Ring	EPDM ASTM D2000	
11	Minipad	2-24" PTFE	
	Bearing	30-48" Stainless Steel SS316	
12	O-Ring	EPDM ASTM D2000	
13	O-Ring	EPDM ASTM D2000	
14	O-Ring	EPDM ASTM D2000	
15	Seal Ring	Brass ASTM B16	
16	Dust Ring	EPDM ASTM D2000	
19	Gland	Ductile Iron ASTM A536	
20	Bolt	Stainless Steel SS316	Stainless Steel 304
21	Washer	Stainless Steel SS316	Stainless Steel 304
22	Gear Box		

Note: For special material request other than standard specification, please indicate clearly on the inquiry.



JHZ45XC-S

Item No.	Dimensions(Inch)							
	Size	D	D1	b	z	d	L	H
JHZ45XC-G02	2"	6.00	4.75	0.62	4	0.750	7.00	16.65
JHZ45XC-G025	2.5"	7.00	5.50	0.69	4	0.750	7.50	17.64
JHZ45XC-G03	3"	7.50	6.00	0.75	4	0.750	8.00	18.66
JHZ45XC-G04	4"	9.00	7.50	0.94	8	0.750	9.00	19.96
JHZ45XC-G05	5"	10.00	8.50	0.94	8	0.875	10.00	22.13
JHZ45XC-G06	6"	11.00	9.50	1.00	8	0.875	10.50	23.62
JHZ45XC-G08	8"	13.50	11.75	1.12	8	0.875	11.50	27.05
JHZ45XC-G10	10"	16.00	14.25	1.19	12	1.000	13.00	30.43
JHZ45XC-G12	12"	19.00	17.00	1.25	12	1.000	14.00	33.90
JHZ45XC-G14	14"	21.00	18.75	1.38	12	1.125	15.00	36.73
JHZ45XC-G16	16"	23.50	21.25	1.44	16	1.125	16.00	39.76
JHZ45XC-G18	18"	25.00	22.75	1.56	16	1.250	17.00	42.87
JHZ45XC-G20	20"	27.50	25.00	1.69	20	1.250	18.00	45.98
JHZ45XC-G24	24"	32.00	29.50	1.88	20	1.375	20.00	52.28
JHZ45XC-G30	30"	38.75	36.00	2.12	28	1.375	24.00	60.24
JHZ45XC-G36	36"	46.00	42.75	2.38	32	1.625	28.00	65.94
JHZ45XC-G42	42"	53.00	49.50	2.62	36	1.625	36.00	76.77
JHZ45XC-G48	48"	59.50	56.00	2.75	44	1.625	44.00	82.68

- Connection Ends: Flange to ASME B16.1 CL 125 / ASME B16.42 CL150
- Working Pressure: 250PSI
- Temperature Range: 32°F -176°F
- Coating: Fusion Bonded Epoxy Coating in accordance with ANSI/AWWA C550
- All JHZ series can be equipped with Gearbox.