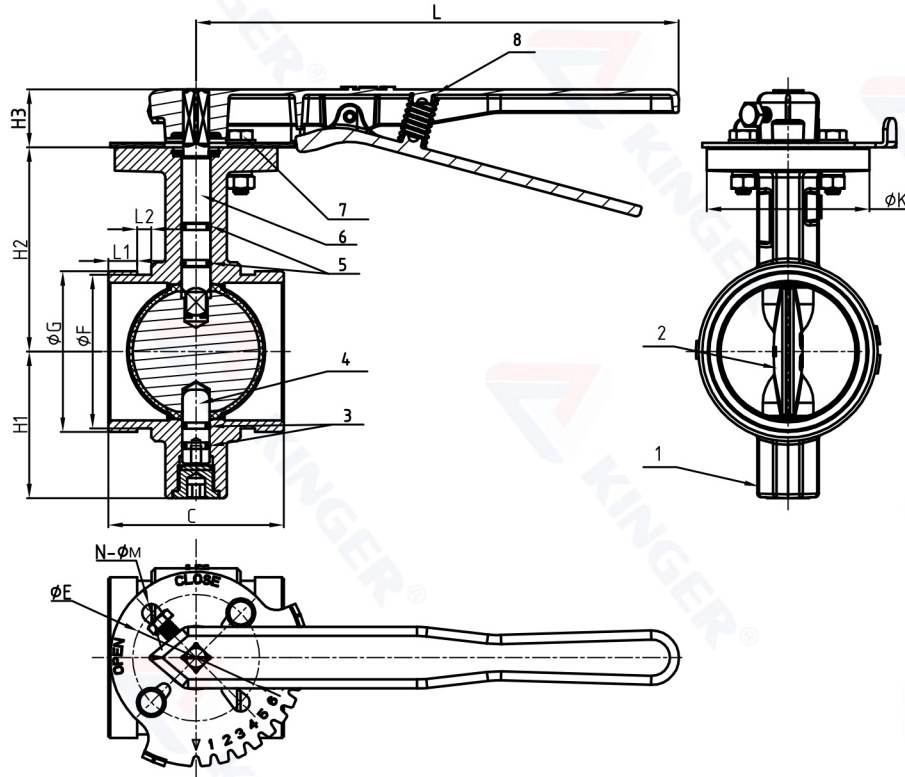


### Grooved Butterfly With Lever Handle (JMD81X4-BL)



#### MATERIAL SPECIFICATION

Part No.	Description	Material Specification
1	Body	ASTM A536 65-45-12
2	Disc	ASTM A536 65-45-12+EPDM
3	O-Ring	NBR
4	Stem	ASTM A276 SS420
5	O-Ring	NBR
6	Stem	ASTM A276 SS420
7	Hex Bolts	Stainless Steel SS304
8	Lower	ASTM A536 65-45-12

- Standard: MSS SP-67
- Top flange: ISO 5211
- Grooved specification: AWWA C606
- Working Pressure: 300PSI
- Temperature Range: 32°F -176°F
- Coating: Fusion bonded epoxy coating in accordance with ANSI/AWWA C550

Note: For special material request other than standard specification, please indicate clearly on the inquiry or order list.

Item No.	Dimensions (Inch)												
	Size	H1	H2	H3	L	ØF	ØG	L1	L2	C	ØE	ØK	N-Ø1
JMD81X4-BL02	2"	2.56	3.94	1.18	10.51	2.250	2.375	0.625	0.312	3.19	2.76	3.54	4-Ø0.39
JMD81X4-BL025	2.5"	2.80	4.53	1.18	10.51	2.720	2.875	0.625	0.312	3.82	2.76	3.54	4-Ø0.39
JMD81X4-BL03	3"	3.19	4.45	1.18	10.51	3.344	3.500	0.625	0.312	3.82	2.76	3.54	4-Ø0.39
JMD81X4-BL04	4"	3.74	5.71	1.18	10.51	4.334	4.500	0.625	0.375	4.57	2.76	3.54	4-Ø0.39
JMD81X4-BL05	5"	4.37	5.55	1.18	10.51	5.395	5.563	0.625	0.375	5.83	2.76	3.54	4-Ø0.39
JMD81X4-BL06	6"	5.24	6.97	1.18	10.51	6.455	6.625	0.625	0.375	5.83	2.76	3.54	4-Ø0.39
JMD81X4-BL08	8"	6.46	7.87	1.58	14.02	8.441	8.625	0.750	0.438	5.24	4.02	4.92	4-Ø0.47
JMD81X4-BL10	10"	7.72	11.02	1.58	14.02	10.562	10.750	0.750	0.500	6.26	4.02	4.92	4-Ø0.47
JMD81X4-BL12	12"	8.90	11.81	1.58	19.29	12.531	12.750	0.750	0.500	6.50	4.02	4.92	4-Ø0.47