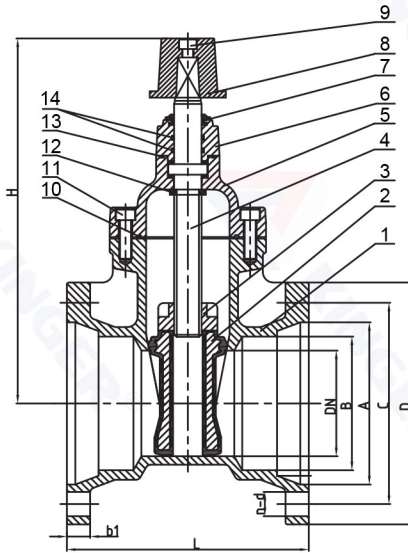


AWWA C515 Mechanical Joint Resilient NRS Gate Valve(JQZ35XQ)



Material Specification

Part No.	Description	Material Specification	Options
1	Body	Ductile Iron ASTM A536 65-45-12	
2	Wedge	ASTM A536 65-45-12+ASTM D2000 EPDM	ASTM A536 65-45-12+ASTM D2000 NBR
3	Stem Nut	Brass	Bronze
4	Stem	Stainless Steel 420	SS304/SS316/SS431/Bronze
5	Bonnet	Ductile Iron ASTM A536 65-45-12	
6	Gland	Ductile Iron ASTM A536 65-45-12	
7	Dust Proof	ASTM D2000 NBR	ASTM D2000 EPDM
8	Operate Nut	Ductile Iron ASTM A536 65-45-12	
9	Bolt	Carbon Steel Zine Plated	SS304/SS316
10	Gasket	ASTM D2000 NBR	ASTM D2000 EPDM
11	Bolts	Carbon Steel Zine Plated	SS304/SS316
12	Bush	ASTM D2000 NBR	ASTM D2000 EPDM
13	O-Ring	ASTM D2000 NBR	ASTM D2000 EPDM
14	O-Ring	ASTM D2000 NBR	ASTM D2000 EPDM

Note: For special material request other than standard specification, please indicate clearly on the inquiry or order list.

Item No.	Size	Dimensions(Inch)							
		L1	H	C	B	D	n-Φd	A	b1
JQZ35XQ02	2"	8.27	10.59	4.74	2.66	6.19	2-Φ0.75	3.54	0.59
JQZ35XQ03	3"	7.99	12.20	6.19	4.07	7.68	4-Φ0.75	4.94	0.63
JQZ35XQ04	4"	9.02	13.78	7.50	4.90	9.02	4-Φ0.75	6.02	0.75
JQZ35XQ06	6"	10.51	18.98	9.50	7.01	11.10	6-Φ0.87	8.13	0.89
JQZ35XQ08	8"	11.50	20.47	11.75	9.15	13.39	6-Φ0.87	10.28	1.00
JQZ35XQ10	10"	12.99	24.88	14.00	11.20	15.63	8-Φ0.87	12.34	1.00
JQZ35XQ12	12"	14.02	29.33	16.26	13.31	17.87	8-Φ0.87	14.45	1.00
JQZ35XQ14	14"	15.00	32.87	18.75	15.45	20.28	10-Φ0.87	16.56	1.25
JQZ35XQ16	16"	15.98	37.52	21.00	17.55	22.50	12-Φ0.87	18.66	1.31
JQZ35XQ18	18"	17.01	41.34	23.25	19.65	25.12	12-Φ0.87	20.75	1.38
JQZ35XQ20	20"	17.99	45.67	25.50	21.75	26.97	14-Φ0.87	22.85	1.44
JQZ35XQ24	24"	20.00	54.92	30.00	25.94	31.50	16-Φ0.87	27.05	1.57

- Connection Ends: Mechanical Joint to ANSI/AWWA C153/A21.53
- Working Pressure: 250PSI
- Temperature Range: 0°C- 80°C
- Coating: Fusion Bonded Epoxy Coating in accordance with AISI/AWWA C550