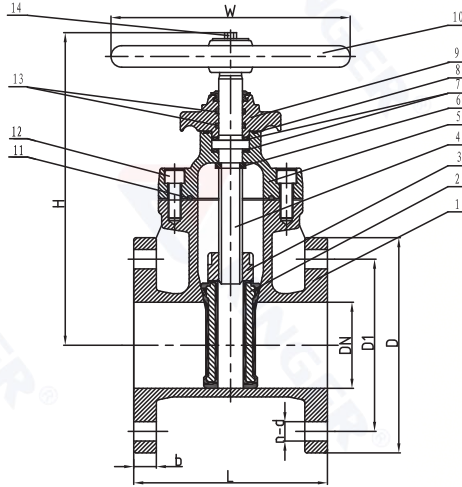


AWWA C515 Flanged Resilient NRS Gate Valve (JQZ45XC)



MATERIAL SPECIFICATION

Part No.	Description	Material Specification	Options
1	Body	Ductile Iron ASTM A536 65-45-12	
2	Wedge	ASTM A536 65-45-12+ASTM D2000 EPDM	ASTM A536 65-45-12+ASTM D2000 NBR
3	Wedge Nut	Brass	Bronze
4	Stem	Stainless Steel 420	SS304/SS316/SS431/Bronze
5	Cover	Ductile Iron ASTM A536 65-45-12	
6	O-RING	ASTM D2000 NBR	ASTM D2000 EPDM
7	O-RING	Plastic	Brass
8	Gland	Ductile Iron ASTM A536 65-45-12	
9	O-RING	ASTM D2000 NBR	ASTM D2000 EPDM
10	Handwheel	Ductile Iron ASTM A536 65-45-12	
11	Seal Ring	ASTM D2000 NBR	ASTM D2000 EPDM
12	Bolt	Carbon Steel Zinc Plated	SS304,SS316
13	O-RING	ASTM D2000 NBR	ASTM D2000 EPDM
14	Bolt	Carbon Steel Zinc Plated	SS304,SS316

- Connection Ends: Flange to ASME B16.1 CL 125
- Working Pressure: 250PSI
- Temperature Range: 0°C- 80°C
- Coating: Fusion Bonded Epoxy Coating in accordance with ANSI/AWWA C550

Note: For special material request other than standard specification, please indicate clearly on the inquiry or order list.

Item No.	Size	Dimensions(Inch)						
		L	H	M	D	W	N-D	b1
JQZ45XC015	1.5"	6.50	10.24	3.88	5.00	6.30	4-Φ0.63	0.59
JQZ45XC02	2"	7.01	10.63	4.74	5.98	7.09	4-Φ0.75	0.63
JQZ45XC025	2.5"	7.48	11.14	5.49	7.01	7.09	4-Φ0.75	0.71
JQZ45XC03	3"	7.99	12.24	6.00	7.52	7.87	4-Φ0.75	0.75
JQZ45XC04	4"	9.02	13.86	7.50	9.02	9.84	8-Φ0.75	0.94
JQZ45XC05	5"	10.00	17.13	8.50	10.00	11.02	8-Φ0.87	0.94
JQZ45XC06	6"	10.51	19.09	9.51	10.98	12.60	8-Φ0.87	1.00
JQZ45XC08	8"	11.50	20.47	11.75	13.50	13.78	8-Φ0.87	1.13
JQZ45XC10	10"	12.99	24.88	14.25	15.98	15.75	12-Φ0.98	1.19
JQZ45XC12	12"	14.02	29.33	17.01	19.02	17.72	12-Φ0.98	1.25
JQZ45XC14	14"	15.00	32.87	18.74	20.98	19.69	12-Φ1.14	1.38
JQZ45XC16	16"	15.98	37.52	21.24	23.50	21.65	16-Φ1.14	1.44
JQZ45XC18	18"	17.01	41.34	22.76	25.00	23.62	16-Φ1.26	1.57
JQZ45XC20	20"	17.99	45.67	25.00	27.52	29.53	20-Φ1.26	1.69
JQZ45XC24	24"	20.00	56.89	29.51	32.01	29.53	20-Φ1.38	1.85